

# LED Storm warning lantern, Type 461

Storm warning and daytime obstruction marker lantern with a light intensity of 140'000 cd (orange) and 200'000 cd (white). Different flashing frequencies can be programmed according to customer requirements. The lantern is available with orange or white LED.

Thanks to modern design, the wind load is kept low. The lantern is robustly built and withstands rough weather conditions.



## Technical Data

<b>Casing</b>	anodised Aluminium
<b>Lenses</b>	glass
<b>Weight</b>	35kg
<b>Protection</b>	IP65
<b>Source of light</b>	LED
<b>Light intensity</b>	140'000cd (orange) 200'000cd (white)
<b>Performance @40 Hz</b>	160V A(orange) , 312V A (white)
<b>Beam angle</b>	120° (horizontally), 3° (vertically)
<b>Wind load</b>	1000N @ 200km/h
<b>Mounting</b>	by using mounting brackets
<b>Temperature</b>	-55°C to +55°C
<b>Wavelength</b>	584-597nm (orange) 5'700K (white)
<b>Flash duration</b>	250ms

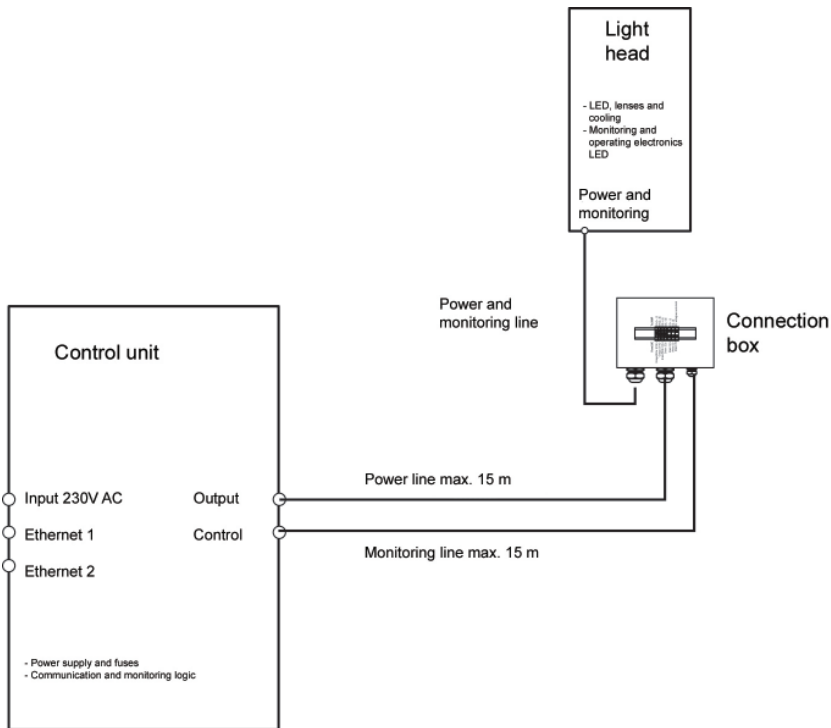
## Execution and Accessory

<b>Accessory</b>	Pole and tube adapter according to customers specifications (INOX and hot galvanized) Controls for triggering and monitoring the storm warning light by phone, SMS or radio (digital or analogue)
------------------	--

## Order Information

<b>Order number</b>	461-cc-uuu-f-bbb-m
<b>LED color (cc)</b>	WH white, OR orange
<b>Voltage (uuu)</b>	230 230V AC
<b>Flashing frequency (f)</b>	30 30Hz (obstacles) 40 40/90Hz (storm warning)
<b>Mounting (m)</b>	V tube W wall

## Overview schematic



Side view

Front view



**Hugentobler Spezialleuchten AG**

Brunnenwiesenstrasse 14

CH - 8570 Weinfelden

Tel. +41 71 626 20 40

info@spezialleuchten.ch

www.spezialleuchten.ch



**Signalling and alarm lights**



**Special lights for aviation and navigation**



**Tunnel safety lights**

