

Port entrance lantern Type 422

Lantern for fixed and floating aids to navigation in robust and stable construction. The casing is made of water-resistant aluminium and the lenses are of PMMA. A bird deterrent is included in the delivery.

The lantern has a wide range of possible identifications and thanks to the different versions, visibility ranges between 3 and 12 nautical miles can be achieved. It can be programmed and operated using Bluetooth® from a distance of up to 50 metres.

Due to low power consumption, the lantern is also suitable for solar and battery operation. A 16A solar battery charger is integrated.

Used for marking port entrances and maritime obstacles.



Technical Data

Casing	Aluminium ALSi12, anodised and powder-coated		
Protection	IP 67		
Weight	from 3.3 kg		
Source of light	LED		
Mounting	3 or 4 screws		
Visibility	3 - 12 nautical miles (TC=0.74)		
Beam angle	5° ±1° vertical (N) 10° ±1° vertical (W)		
Maximum intensity with fixed light		N	W
	red	1150 cd	620 cd
	green	1000 cd	620 cd
	white	1850 cd	1100 cd
	yellow	1200 cd	720 cd
Voltage	10-32V DC		
Power consumption	12W - 17W		
Temperature	-40°C to +60°C		

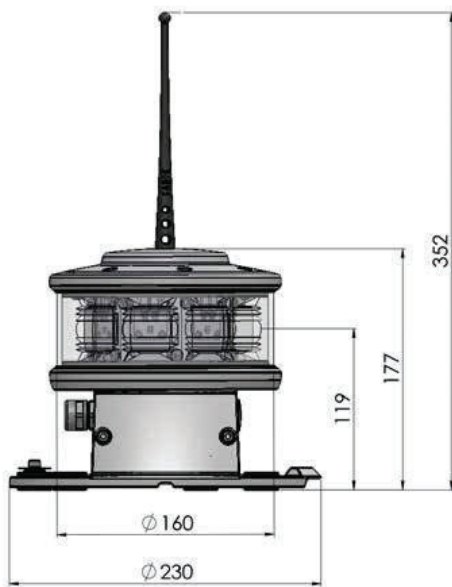
Execution and Accessory

Execution	Inspection window and PMMA lenses
Options	GPS based synchronisation, Sector cover, Login for programming by APP
Accessory	Programming device, pole, power supply unit

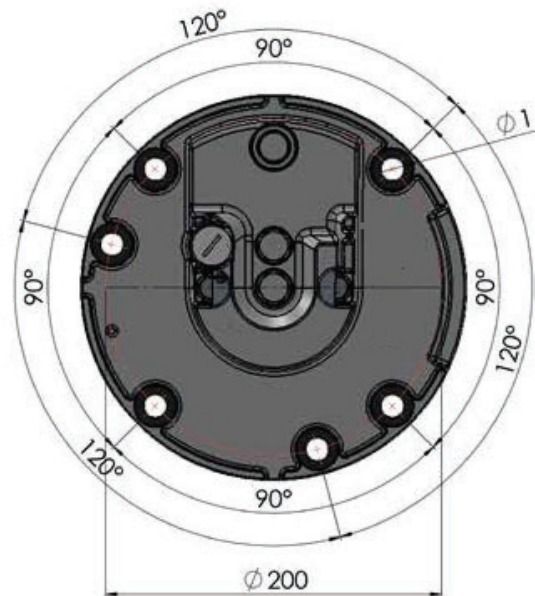
Order Information

Order number	422-cc-10-32-w			
Color code (cc)	WH	white,	YE	yellow,
	RD	red,	GN	green
Beam angle (w)	N	5° ±1° vertical		
	W	10° ±1° vertical		

Side view



Bottom view



Hugentobler Spezialleuchten AG

Brunnenwiesenstrasse 14

CH - 8570 Weinfelden

Tel. +41 71 626 20 40

info@spezialleuchten.ch

www.spezialleuchten.ch



Signalling and alarm lights



Special lights for aviation and navigation



Tunnel safety lights