

# Approach light Type 432

Approach lights for the signalisation of heliports (e.g. hospitals). The flashing beacon is particularly suitable for landing sites without additional visual guidance or with strong ambient light. The approach light is night vision (NVG) compatible.

Additional functions:

- selectable light sequences
- light source monitoring
- surge protection
- Exchangeable modular components (incl. LED)

The light meets the requirements of ICAO 14, Volume II.

## Technical Data

<b>Casing</b>	Aluminium/VA2/glass
<b>Protection</b>	IP 67
<b>Weight</b>	from 9.2kg
<b>Source of light</b>	High Powered LEDs
<b>Light intensity</b>	2500cd
<b>Mounting</b>	4 screws
<b>Voltage</b>	230V AC 12 & 24V DC
<b>Performance</b>	51 - 66W
<b>Temperature</b>	-55°C to +55°C

## Power input

96-264V AC	0.50A
12V DC	8.60A
24V DC	4.30A



## Accessory

Options:

- Programmable version
- Radio remote control
- GPS, wind measurement module
- Synchronisation module

## Order Information

<b>Order number</b>	432-c-uuu-zz
<b>Color code (c)</b>	R red W white G green Y yellow
<b>Voltage (uuu)</b>	Voltages with leading zeros
<b>Options (zz)</b>	M Morse code ICAO MA Morse code ICAO/Alarm H Heliport 3 colors HA Heliport/Airport 2 colors

Side view

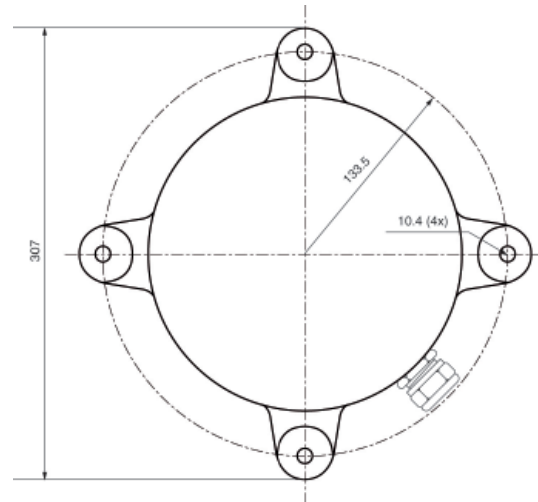


Length: 31 cm

Width: 31 cm

Height: 25 cm

Bottom view



**Hugentobler Spezialleuchten AG**

**Brunnenwiesenstrasse 14**

**CH - 8570 Weinfelden**

**Tel. +41 71 626 20 40**

**info@spezialleuchten.ch**

**www.spezialleuchten.ch**



**Signalling and alarm lights**



**Special lights for aviation and navigation**



**Tunnel safety lights**