

Shallow base for inset light 300mm

This shallow base is suitable for inset lights of IL32/37, IL42/47, IL241/IL241D and IL252 series.

The shallow base is made of tempered aluminium alloy and can be provided with an external coating.



Technical data

Casing	Aluminium casting	
Weight	4.9 kg	collar height 16.7 mm
	5.0 kg	collar height 23.2 mm
	5.1 kg	collar height 29.0 mm
Tempered	T5	
Finishing	degreased	
Screws	3 x M10x35 molycotised 3 x M10 wedge lock washer A4 1 x M8x8 alignment	

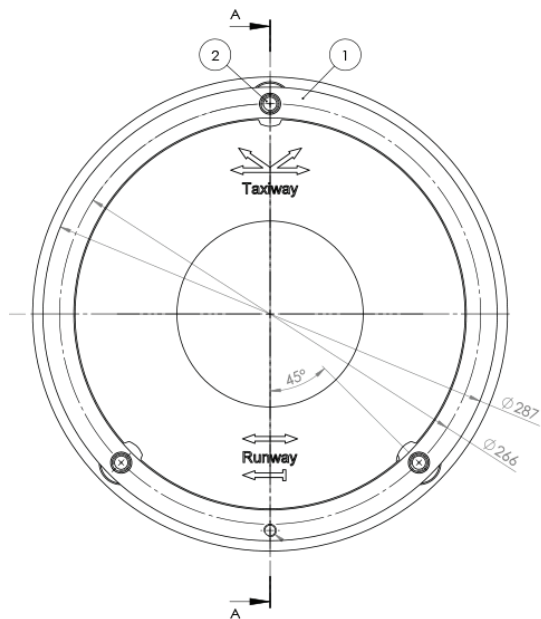
Execution and Accessory

Execution	300mm 16.5mm collar height
	300mm 23.2mm collar height
	300mm 29.0mm collar height for induction loop
Accessory	blind cover reduction to 8" coating etc.

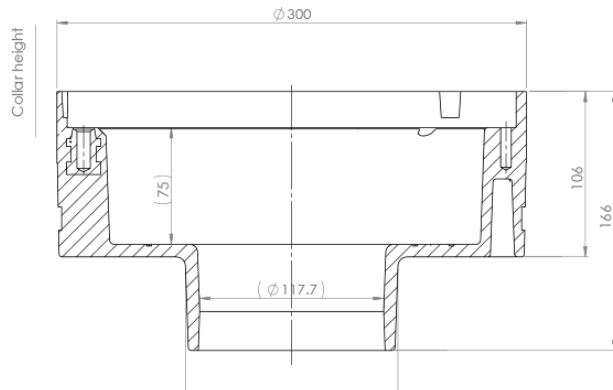
Order information

Order number	Einbauchale 300mm v-a	
Version (v)	1	collar height 16.5mm
	2	collar height 23.0mm
	3	collar height 29.0mm
Execution (a)	S	standard
	I	induction loop

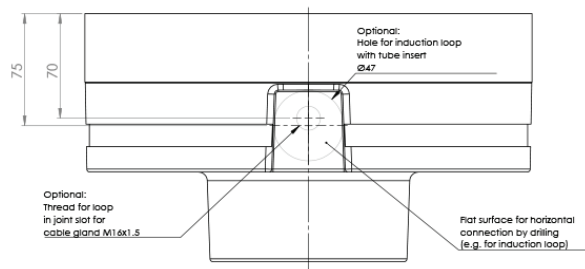
Top view



Side view



Induction loop



Hugentobler Spezialleuchten AG

Brunnenwiesenstrasse 14
 CH - 8570 Weinfelden
 Tel. +41 71 626 20 40
 info@spezialleuchten.ch
 www.spezialleuchten.ch



Signalling and alarm lights



Special lights for aviation and navigation



Tunnel safety lights