

Airport sign Type 810

Airport sign according to the regulations of international aviation law (ICAO). To signal mandatory instructions, runway, location and informations on **airports**.

The foils guarantee long-lasting durability and robustness of the font.

Signal length is determined by text.



Technical Data

Casing	Aluminium sheet 2mm, coated
Front panel	foils
Marking	on one side or on both sides
Height of illuminated area	400mm / 600mm / 800mm
Protection	IP 54
Weight	below 17kg per running meters
Tube support	breaking clutch 1500Nm / 2" NPSM
Mounting	base plate 305mm / 2" NPSM

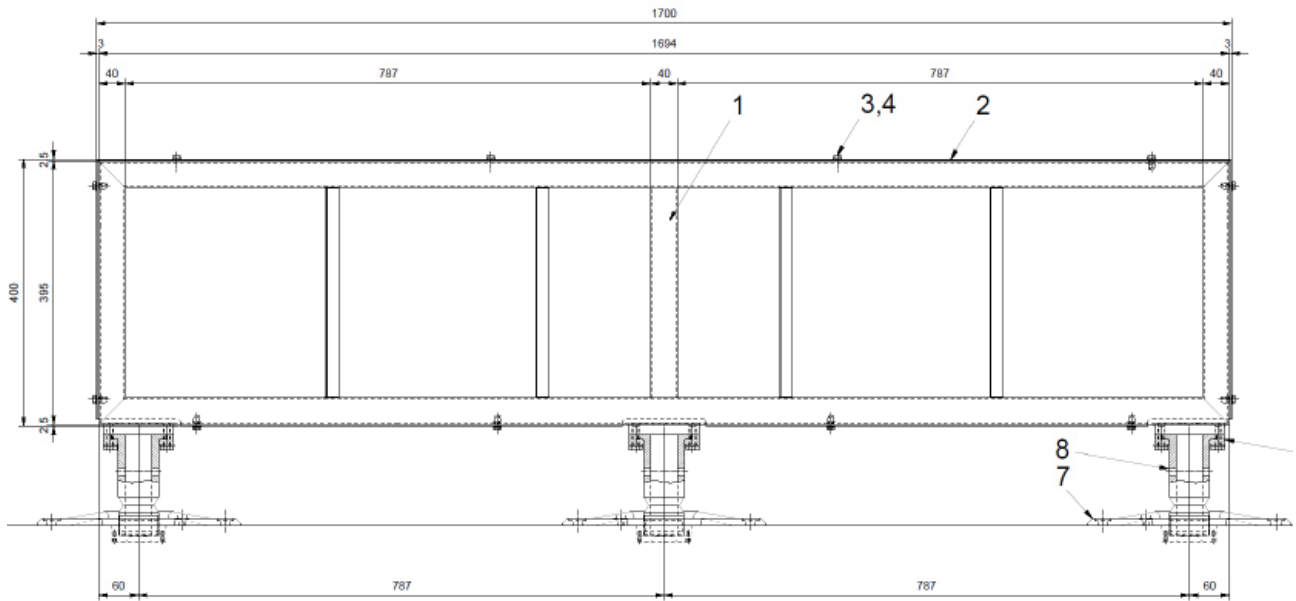
Execution and Accessory

Execution	signal area on one side or on both sides
Illuminated area	height 400/600/800mm
Options	reflective foil
Accessory	bird deterrent

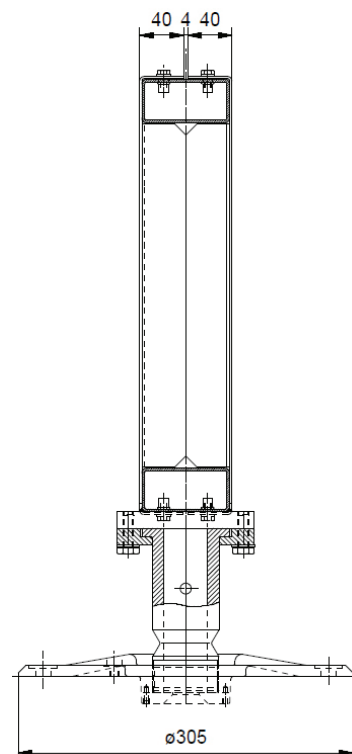
Order Information

Order number	810-a-hhh-llll
Execution (a)	1 one side 2 both sides
Color code (hhh)	400 surface height 400mm 600 surface height 600mm 800 surface height 800mm
Length (llll)	lengths with leading zeros (mm)

Front view



Side view



Hugentobler Spezialleuchten AG

Brunnenwiesenstrasse 14

CH - 8570 Weinfelden

Tel. +41 71 626 20 40

info@spezialleuchten.ch

www.spezialleuchten.ch



Signalling and alarm lights



Special lights for aviation and navigation



Tunnel safety lights