

Solar lantern M550

Compact, bright and maintenance-free solar lantern for buoys, docks and watercraft.

Absolutely waterproof, UV-resistant and vandal-proof.

Flash frequency individually adjustable via programming device. Available with or without switch for complete shutdown when not in use.



Technical Data

Casing	Plastic
Protection	IP 68
Weight	0.37kg
Source of light	High Flux Surface Mount LED
Temperature	-30°C to +50°C
Mounting	2x M6 screws, on pole
System autonomy	43 days (flashing)
Life cycle	15 years, battery 5 years
Visibility	approx. 1.8km

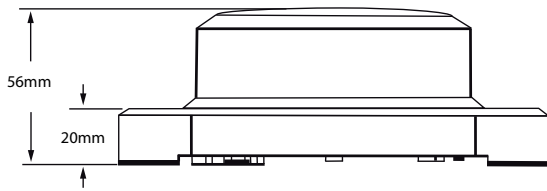
Accessory

- Programming device
- Bird deterrent
- Replacement battery

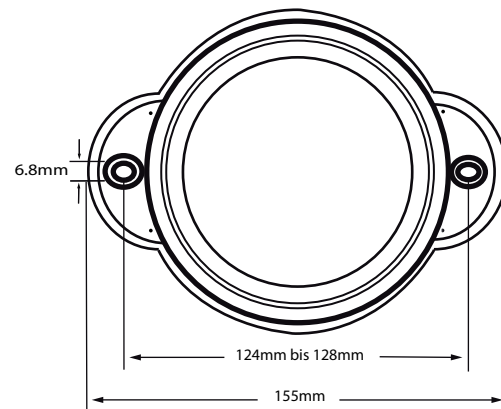
Order Information

Order number	550-cc
Color code (cc)	WH white, YE yellow, RD red, GN green, BL blue

Side view



Top view



Hugentobler Spezialleuchten AG

Brunnenwiesenstrasse 14

CH - 8570 Weinfelden

Tel. +41 71 626 20 40

info@spezialleuchten.ch

www.spezialleuchten.ch



Signalling and alarm lights



Special lights for aviation and navigation



Tunnel safety lights