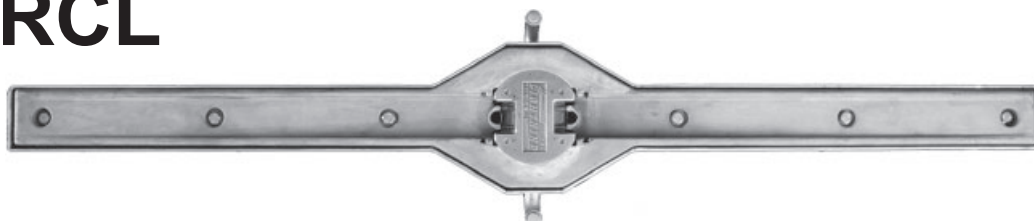


Centerline light Type RCL



A complete centreline light (RCL) consists of substructure, grooved plate and light, whereby the substructure is the same for all variants.

The grooved plate is available with different heating systems.

The Centerline RCL light complies with the guidelines according to ICAO Annex 14 for Runway Centre Line of categories I, II and III.

Technical data

Light head	Aluminium casting	
Base plate	Aluminium casting	
Substructure	Chromium steel	
Protection	IP 68	
Weight	3.5 kg light head 11.6 kg base plate 15.1 kg substructure	
Source of light	Halogen lamp PK30d 150W 6.6A	
Temperature	-25°C to +70°C	
Tension	15 - 48V AC max.	
Brightness levels	1%, 3%, 10%, 30%, 100%	
Light intensity	white	9'857 cd
	red	2'000 cd

Features

Light head and grooved plates are largely made of aluminium. Therefore, weight of the light is low and handling in the field is easy.

The light is mounted flush with the surface of the runway, there are no protruding parts. This minimizes vibrations on the aircraft landing gear as well as light. This increases lifespan of light, especially its lamp.

The flush mounting method prevents tyre damage and is insensitive when ploughing snow.

Residual water and rainwater enter the water drainage system through special drainage openings, thus ensuring optimum light emission even under difficult weather conditions.

A built-in electric heater in the grooved plate prevents the accumulation of ice and snow.

For maintenance work the complete light head can be removed and replaced within seconds using a collet chuck. No adjustment work is required.

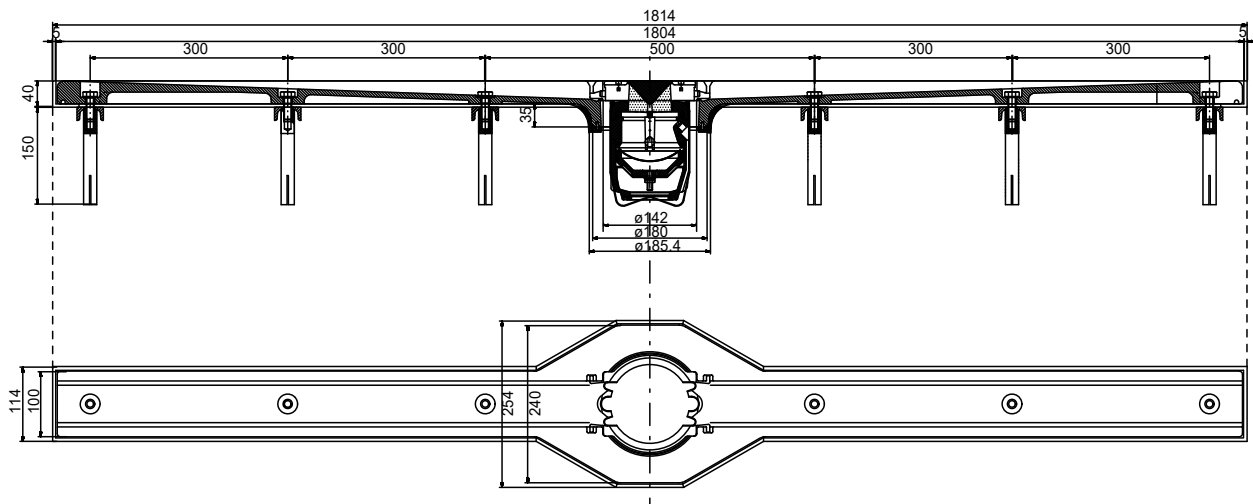
If necessary, the complete grooved plate can be removed and replaced.

Order Information Light

Order number	RCL/2-ZHR-c1/c2	
Color (c1)	W	white
	R	red
Color (c2)	W	white
	R	red

Order Information Grooved Plate

Order number	RCL/2-ZHR-RP-uu	
Tension (uu)	15	15V AC (parallel system)
	00	6.6A (series system)



Hugentobler Spezialleuchten AG

Brunnenwiesenstrasse 14

CH - 8570 Weinfelden

Tel. +41 71 626 20 40

info@spezialleuchten.ch

www.spezialleuchten.ch



Signalling and alarm lights



Special lights for aviation and navigation



Tunnel safety lights